

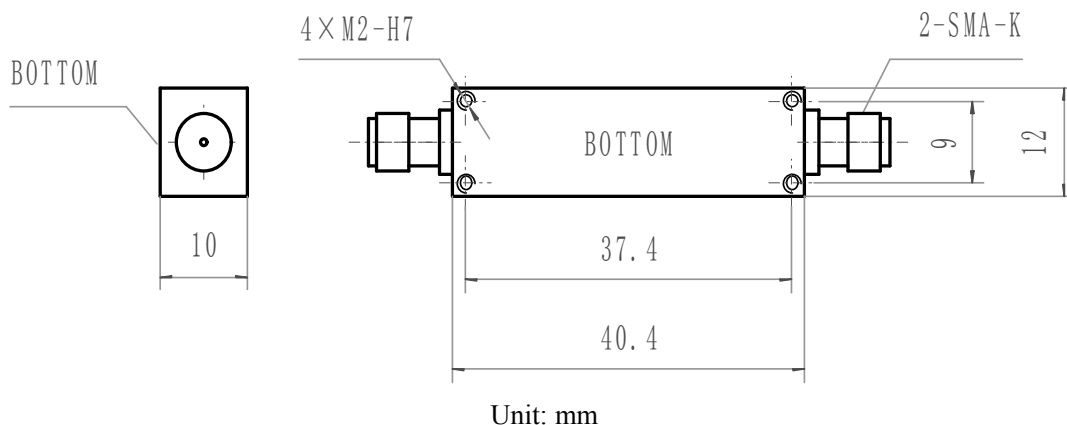
## LC Band Pass Filter

P/N: ZSBP10-2LS

### 1. Electrical Specifications

Pass Band	9-11MHz
Center Freq.	10MHz
Insertion loss@f0	1.0dB max
Attenuation	50dB min @1MHz
VSWR	1.5:1 Max
Connector	SMA-Female
Painting	Brass, Silver plated
Operating Temperature	-40°C ~ +70°C

### 2. Mechanical Specification (for reference)



### Typical Test Value for reference

Quantity: 2pcs

No.	Temp.	Pass Band (MHz)	Insertion Loss (dB)			Rejection (dB)	VSWR
			9MHz	10MHz	11MHz		
		9.0-11	1.0dB max	1.0dB max	1.0dB max	50dB min	1.5
001	-40°C	9.0-11	0.70	0.66	0.67	84	1.16
	+70°C	9.0-11	0.76	0.71	0.73	81	1.17
	Room Temp.	9.0-11	0.73	0.67	0.70	82	1.16
002	-40°C	9.0-11	0.72	0.66	0.67	84	1.19
	+70°C	9.0-11	0.78	0.72	0.73	84	1.18
	Room Temp.	9.0-11	0.74	0.68	0.69	84	1.19



Chengdu Zysen Technology Co., Ltd.

---